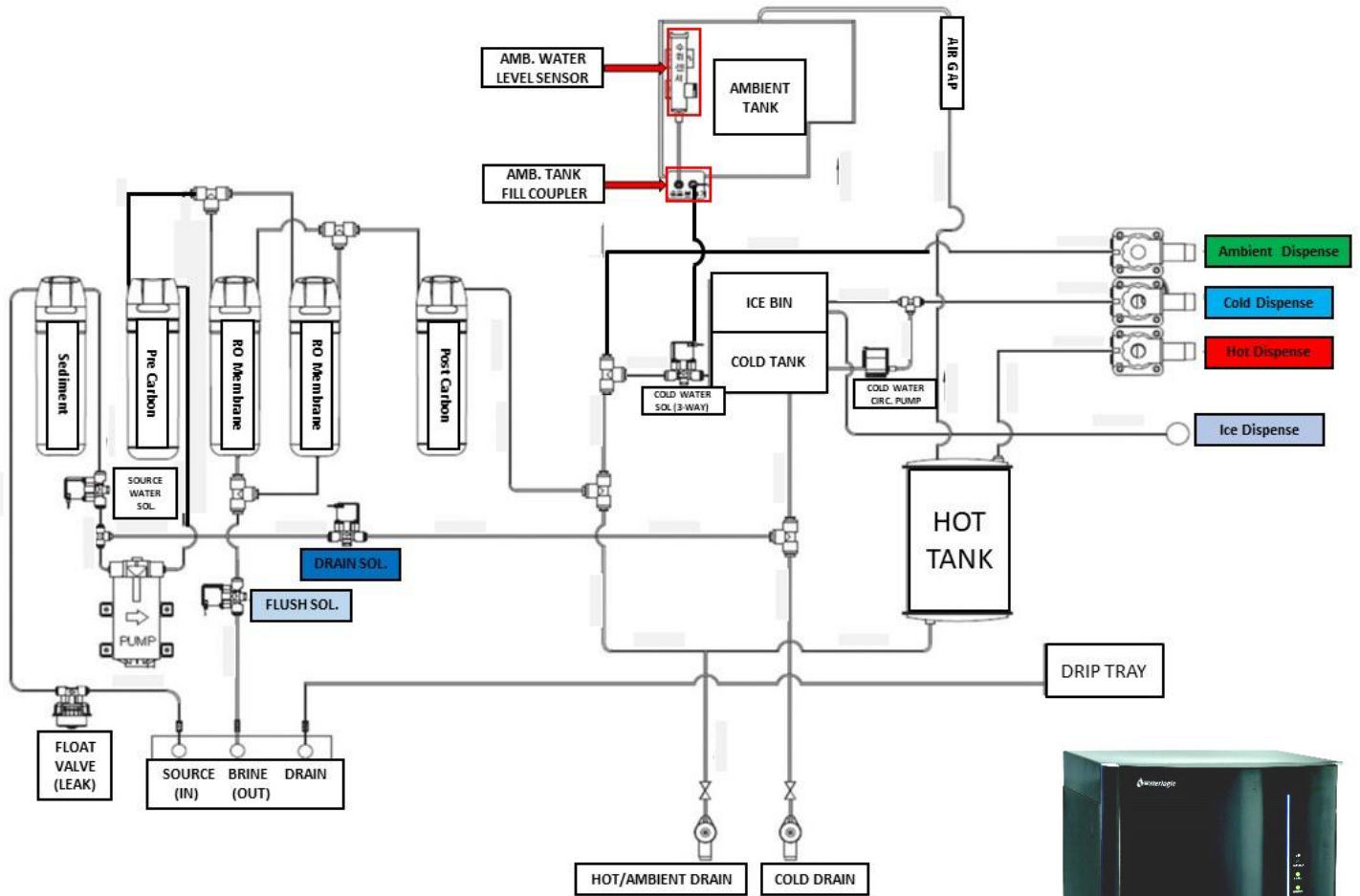
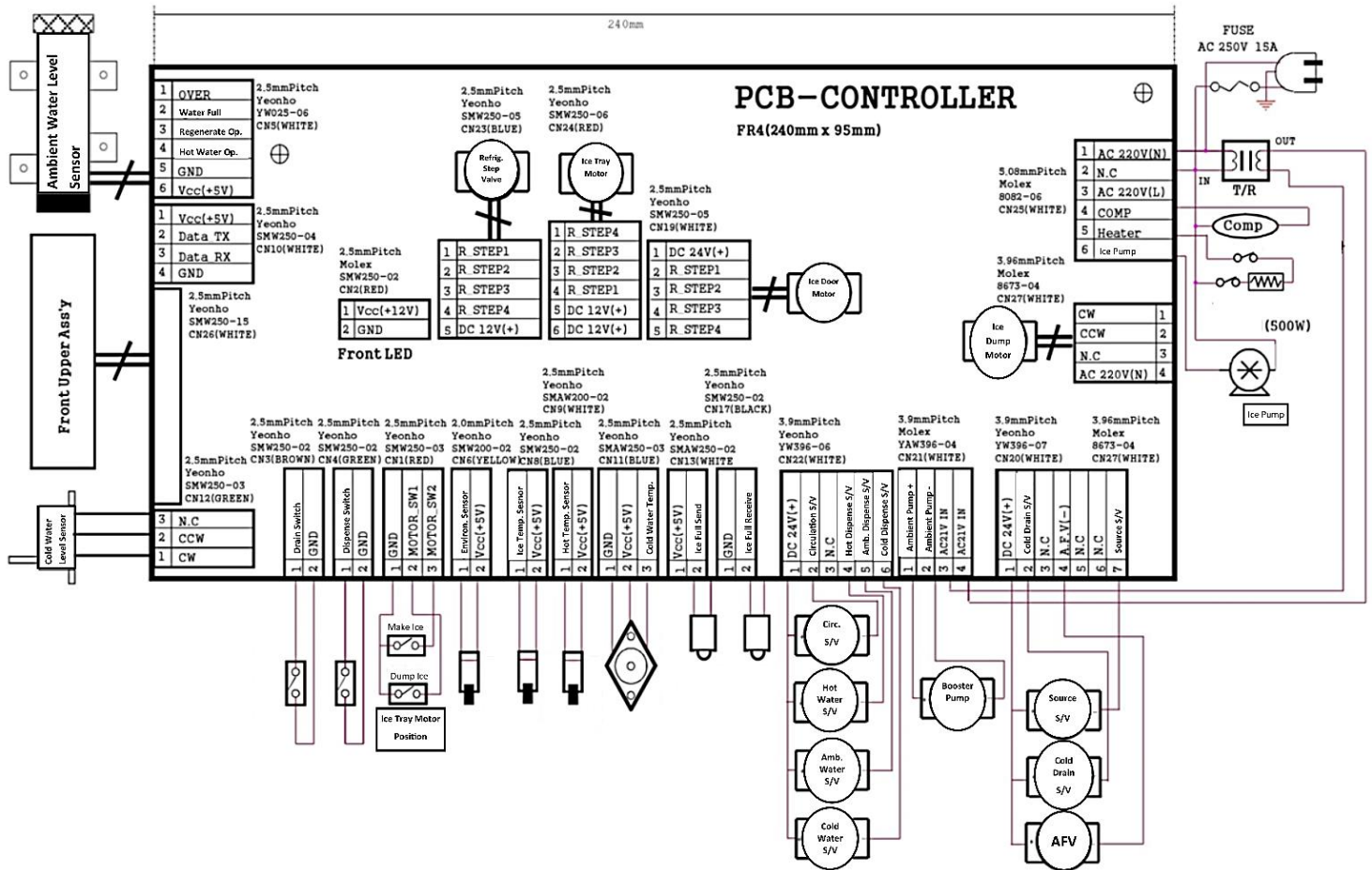


WL900 WATER FLOW DIAGRAM



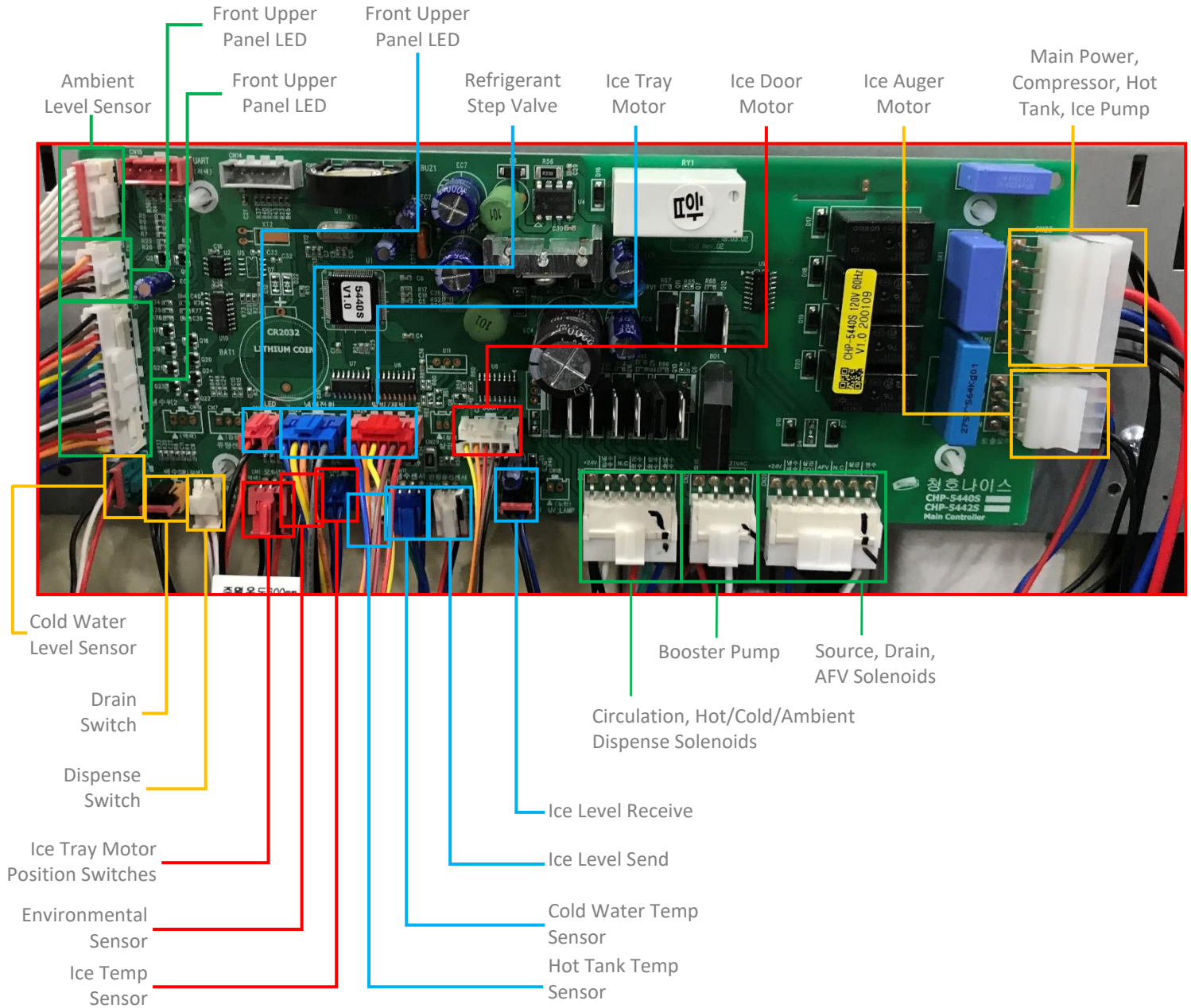
WL900 ELECTRICAL DIAGRAM

⚠ DANGER! HIGH VOLTAGE ELECTRICAL HAZARD. PCB (Printed Circuit Board) contains High Voltage. Only trained and qualified technicians should attempt live testing.

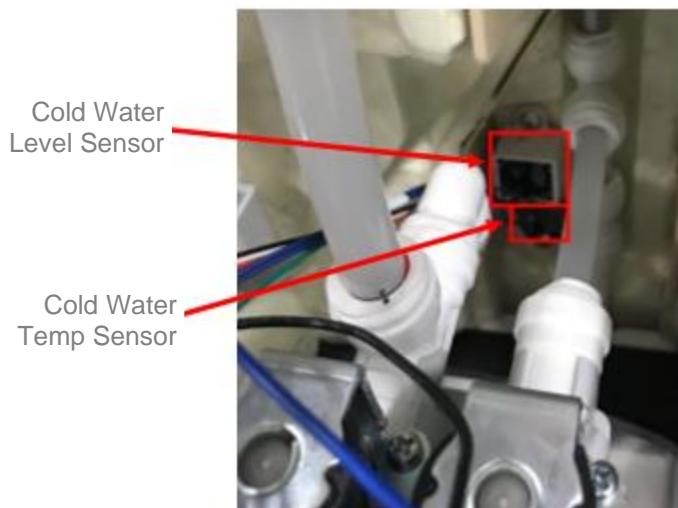
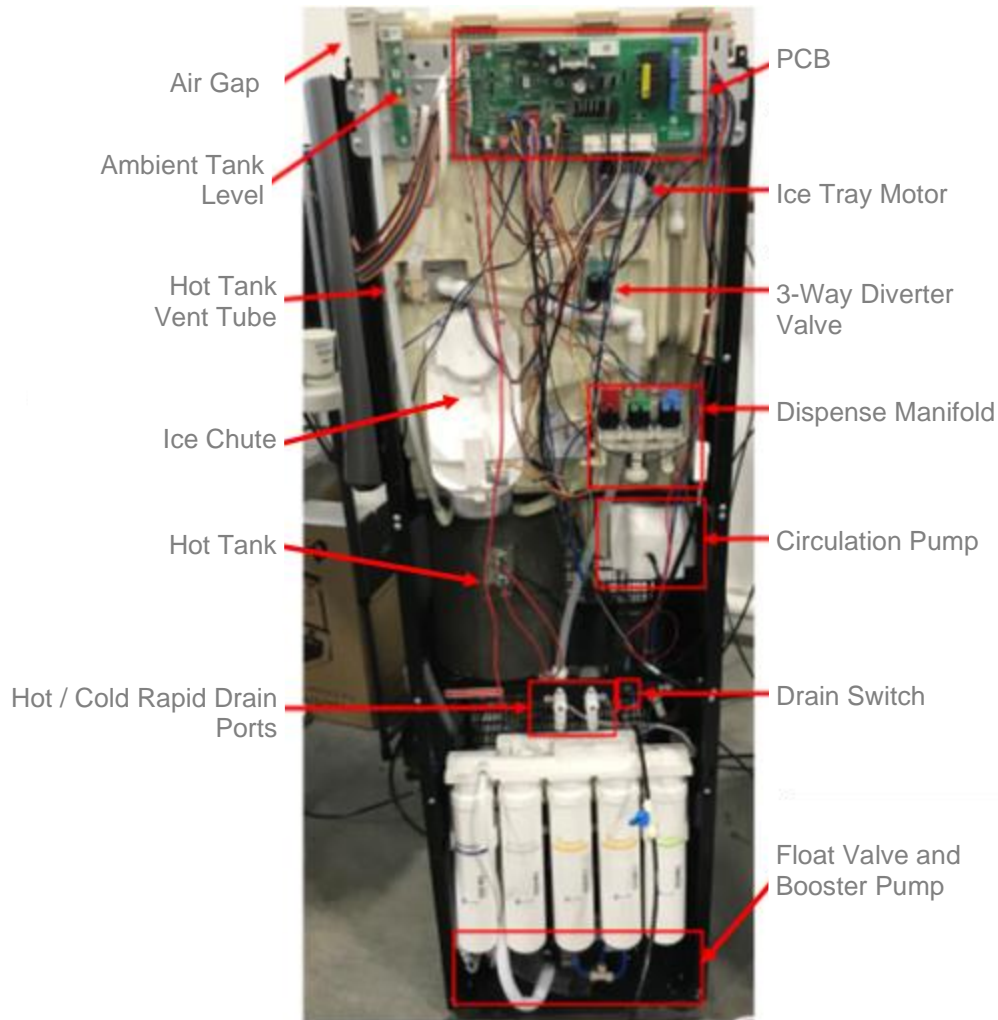


WL900 PCB ROADMAP

⚠ DANGER! HIGH VOLTAGE ELECTRICAL HAZARD. PCB (Printed circuit Board) contains High voltage. Only trained and qualified technicians should attempt live testing.



WL900 ANATOMY



NOTE: Picture shows behind the dispense manifold (covered by removable foam inserts)