

## REPLACEMENT COMPONENTS (CONSUMABLES)

Component	WLCP Part No.	Frequency of Replacement
UV Light, 4 Watts Assembly <b>Counter Top</b>	K-AK-CT-2030-L00-C3	Every 12 months, or as required
UV Light, 8 Watts Assembly <b>Tower</b>	K-AK-CT-2001-L00-GF	Every 12 months, or as required
Hot Tank 1.5 Liter (.40 Gallons) 87°C (189°F) - <b>Counter Top</b>	HT-3024	Replace every 3-5 years depending on usage
Hot Tank 1.5 Liter (.40 Gallons) 87°C (189°F) - <b>Tower</b>	HT-3024	Replace every 3-5 years depending on usage
GAC Filter - 10" Carbon Activated Inline Filter – <i>Optional</i> <i>*Filter Element PN FT-0038-WLT</i>	FT-0035	Every 6-months or as required. Local water conditions will determine proper filter type and maintenance schedule. FT-0035-IL-WLT
Carbon Block - 10" CBC 1 Micron Lead and Cyst Reduction Inline Filter – <i>Optional</i> <i>*Filter Element PN FT-0064-WLT</i>	FT-0063	Every 6-months or as required. Local water conditions will determine proper filter type and maintenance schedule. FT-0063-IL-WLT
Sediment Filter - 10" Sediment 20 Micron Inline Filter – <i>Optional</i> <i>*Filter Element PN FT-0055-WLT</i>	FT-0053	Every 6-months or as required. Local water conditions will determine proper filter type and maintenance schedule. FT-0053-IL-WLT

**⚠ CAUTION!** Use only Waterlogic Replacement parts that can be obtained from *Waterlogic* or an *Authorized Waterlogic Dealer*, failure to do so will void the Warranty.

See Installation and Service Manual for additional information.

### Hot Tank Service

Hot Tanks (with controls) must be replaced at least every 3-5 years depending on usage. Descaling hot tank may be required on a regular basis depending upon filtration and local water conditions. See Installation and Service Manual for further details.

### Surface Cleaning

Clean on a regular basis with damp lint free cloth. Never use harsh chemicals (alcohol or acid based) or abrasive agents on any part of the product to avoid damage. A mild cleaner such as Simple Green or equivalent is recommended.

## DISPOSAL

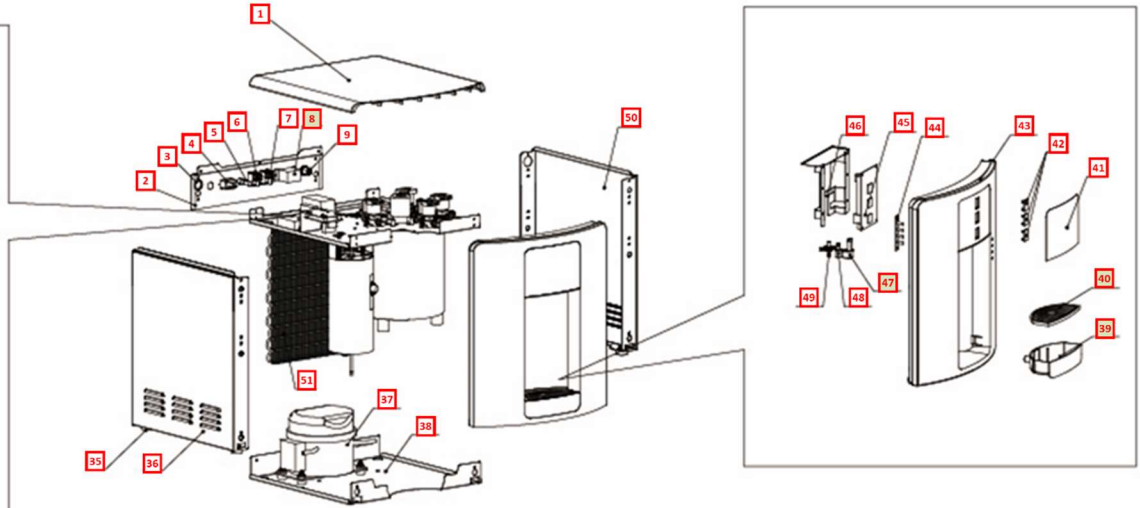
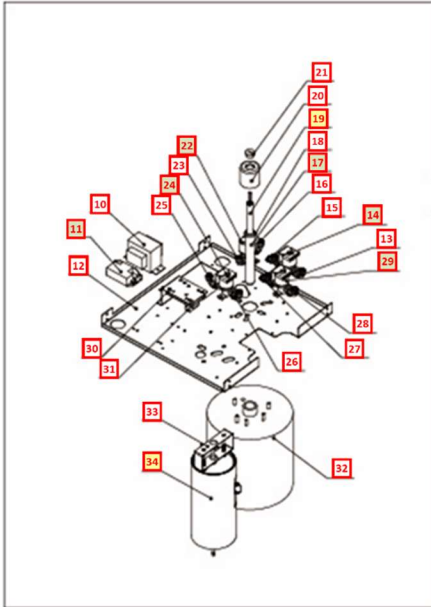
### End of Life

At the **end of this product's life**, ensure that it is disposed of in an environmentally friendly manner which is fully compliant **with all Federal/State/Local Requirements and Guidelines**. Do not dispose of this appliance with normal household or business waste.

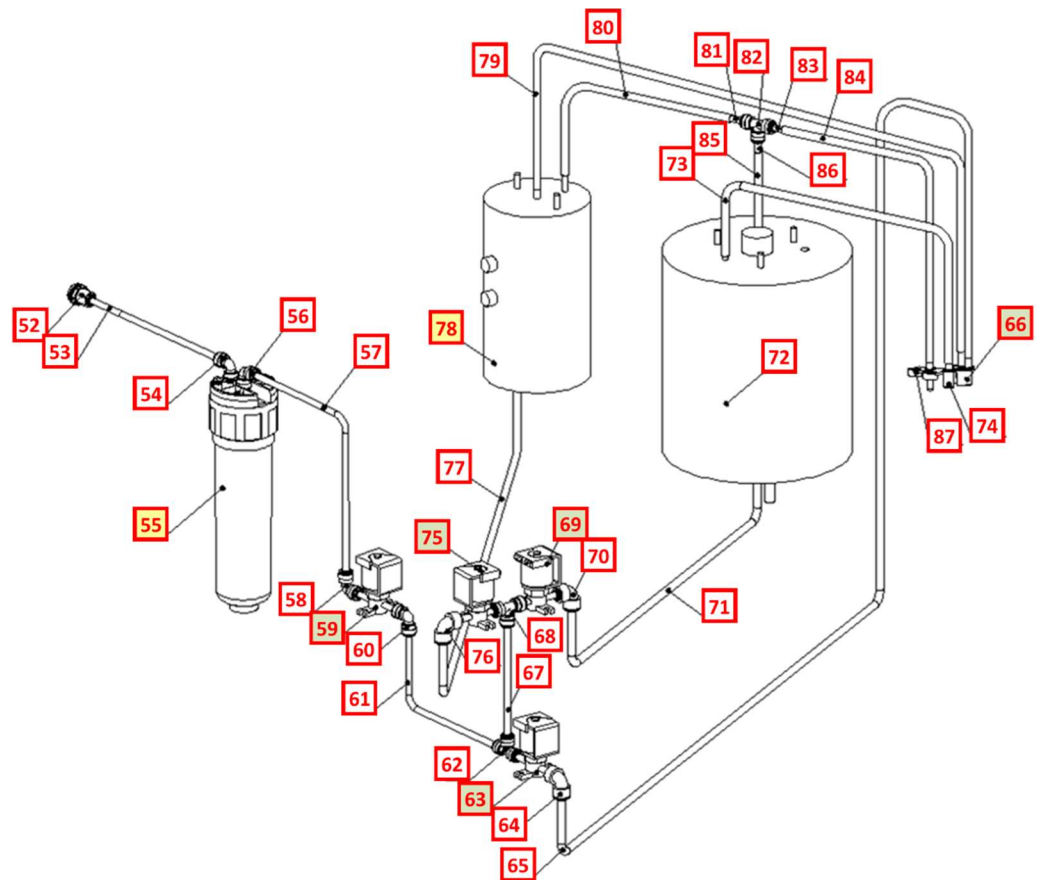
## WL3 IT COUNTER TOP DRAWING AND PARTS LIST

Yellow = Consumables

Green = Recommended spare parts



**Wetted Drawing**



No.	WLCP Part No.	Part No.	Description	Photo
1	N/A	PL-0056-L00-BL	WL3 Countertop Top Cover - Black	
2	N/A	ST-0072-L00-BL	WL3 Countertop back panel (add 2 holes for Culligan filter head)-Black	
3	N/A	PL-1293	Rubber O-ring for GF Side Panel Drain Hole	
4	EL-0061-L00-00	EL-0061-L00-00	Socket for Plug Connection V0 class	
5	10-3014	EL-5053	Fuse Holder & Fuse 110V/15A with only one wire chiller3 & lo	
6	12-5600	EL-5019-A	Power Switch (Red)-No back lights	
7	10-3009	EL-5005	Switch - Heater/Compressor (Green)	
8	19-1069	CT-2016	Cold Tank Thermostat	

9	10-3067	PU-4028	JG Bulkhead Union 1/4"x1/4"	
10	EL-0016-L00-00	EL-0016-L00-00	Power Transformer 120v/2A for Cube	
11	EN-0111-L00-00	EN-0111-L00-00	8w/4w Electronic Ballast 120V 60Hz	
12	N/A	ST-0064-L00-00	WL3 Countertop HCA upper base panel	
13	PU-4007	PU-4007	JG Reducing Elbow 5/16"x1/4"	
14	PU-0017-I00-00	PU-0017-I00-00	MS DC Solenoid Valve SWV24-01	
15	PU-4011	PU-4011	JG Equal Tee 1/4"	
16	PU-4008	PU-4008	JG Equal Elbow 1/4"	

17	14-1051	CT-2026	Quartz Sleeve D152mm for 4W Lamp	
18	10-2500	CT-2006	O-ring (Black Quartz Sleeve)	
19	K-AK-CT-2030-L00-C3	K-AK-CT-2030-L00-C3	Philips 4W UV Lamp Kit w/ Wire Harness and Bung	
20	10-4008	PL-1027	UV Lamp Retaining Nut	
21	10-3004	CT-2001-B	UV Lamp Fixing Rubber (Silicon)	
22	PU-0017-I00-00	PU-0017-I00-00	MS DC Solenoid Valve SWV24-01	
23	PU-4008	PU-4008	JG Equal Elbow 1/4"	
24	PU-0017-I00-00	PU-0017-I00-00	MS DC Solenoid Valve SWV24-01	

25	PU-4008	PU-4008	JG Equal Elbow 1/4"	
26	PU-4008	PU-4008	JG Equal Elbow 1/4"	
27	PU-4011	PU-4011	JG Equal Tee 1/4"	
28	PU-4007	PU-4007	JG Reducing Elbow 5/16"x 1/4"	
29	PU-0017-I00-00	PU-0017-I00-00	MS DC Solenoid Valve SWV24-01	
30	N/A	ST-8287	3min UV Timer PCB Fixing Bracket	
31	N/A	EN-0134-L00-00	WL3 NEW HCA MAIN PCB	
32	12-3110	CT-2060	UV Cold Tank Assy 2L - WL2500IT	

33	12-8006	ST-8120	Hot Tank Fixing Bracket 400mm for 1.5L	
34	10-4029	HT-3024	Hot Tank (Pipe) 120V/500W - UVF2 1.5L	
34.1	10-3030	HT-3002	Hot Tank Thermistor	
35	10-3083	ST-8016	Unit Control Rubber Feet WL3000	
36	N/A	ST-0328-L00-00	WL3 Countertop Mini Left Side Panel	
37	CO-0020-L00-00	CO-0020-L00-00	LG Compressor 120V R134A-CSB035LJCM	
38	N/A	ST-8036	Mini Down Base for 650 & Chiller white universal as ST-8012	
39	N/A	PL-0049-L00-BL- WLG	WL3 lower drip tray body for WLG black - WL logo - w.BioCote	

40	PL-0029-L00-BL	PL-0029-L00-BL	WL3 Drip Tray Grill - Black - with Biocote	
41	N/A	LP-0535-L00-00	WL3 HCA Countertop UI Label	
42	N/A	PL-1379	WL3 Button Cover for LED Diffuser	
43	N/A	PL-0293-L00-BL	WL3 Countertop Front Upper Panel - Black No FW Logo	
44	EN-6139	EN-6139	WL3 LED PCB	
45	N/A	EN-0135-L00-00	WL3 New HCA UI PCB	
46	N/A	ST-8340	WL3 HCA UI PCB Cover	



47	PL-1382	PL-1382	WL3 Hot Water Faucet	
48	N/A	ST-0330-L00-00	WL3 Countertop HCA UT Model - Cold Water Faucet	
49	N/A	ST-0327-L00-00	WL3 Cold Faucet Fixing Bracket for HCA UT	
50	N/A	ST-0329-L00-00	WL3 Countertop Right Side Panel	
51	N/A	CO-0047-L00-00	WL3 Countertop Condenser	
52	PU-4028	PU-4028	JG Bulkhead Union 1/4"x1/4"	
53	PU-4031	PU-4031	1/4" PE Pipe	
54	PU-4008	PU-4008	JG Equal Elbow 1/4"	

55	FT-0053 FT-0035 FT-0063	FT-0053 FT-0035 FT-0063	WL Inline Filter	
56	PU-4008	PU-4008	JG Equal Elbow 1/4"	
57	PU-4031	PU-4031	1/4" PE Pipe	
58	PU-4008	PU-4008	JG Equal Elbow 1/4"	
59	PU-0017-I00-00	PU-0017-I00-00	MS DC Solenoid Valve SWV24-01	
60	PU-4008	PU-4008	JG Equal Elbow 1/4"	
61	PU-4031	PU-4031	1/4" PE Pipe	
62	PU-4011	PU-4011	JG Equal Tee 1/4"	

63	PU-0017-I00-00	PU-0017-I00-00	MS DC Solenoid Valve SWV24-01	
64	PU-4008	PU-4008	JG Equal Elbow 1/4"	
65	PU-4031	PU-4031	1/4" PE Pipe	
66	PL-1382	PL-1382	Hot Faucet	
67	PU-4031	PU-4031	1/4" PE Pipe	
68	PU-4011	PU-4011	JG Equal Tee 1/4"	
69	PU-0017-I00-00	PU-0017-I00-00	MS DC Solenoid Valve SWV24-01	
70	PU-4007	PU-4007	JG Reducing Elbow 5/16" * 1/4"	

71	PU-4014	PU-4014	JG LLDPE Tube - Blue 8mm	
72	12-3110	CT-2060	UV Cold Tank Assy 2L - WL2500IT	
73	PU-4014	PU-4014	JG LLDPE Tube - Blue 8mm	
74	N/A	ST-0330-L00-00	WL3 Countertop HCA UT model - Cold Water Faucet	
75	PU-0017-I00-00	PU-0017-I00-00	MS DC Solenoid Valve SWV24-01	
76	PU-4007	PU-4007	JG Reducing Elbow 5/16" * 1/4"	
77	PU-4014	PU-4014	JG LLDPE Tube - Blue 8mm	
78	10-4029	HT-3024	Hot Tank	
79	PL-4064-L00-00	PL-4064-L00-00	Silicone Pipe 5/16" Non- WRAS	

80	PL-4064-L00-00	PL-4064-L00-00	Silicone Pipe 5/16" Non-WRAS	
81	PU-4031	PU-4031	1/4" PE Pipe	
82	PU-4011	PU-4011	JG Equal Tee 1/4"	
83	PU-4031	PU-4031	1/4" PE Pipe	
84	PL-4064-L00-00	PL-4064-L00-00	Silicone Pipe 5/16" Non-WRAS	
85	PL-4064-L00-00	PL-4064-L00-00	Silicone Pipe 5/16" Non-WRAS	
86	PU-4031	PU-4031	1/4" PE Pipe	
87	N/A	ST-0327-L00-00	WL3 Cold Faucet Fixing Bracket for HCA UT	

## WL3 IT COUNTER TOP WATER FLOW DIAGRAM

