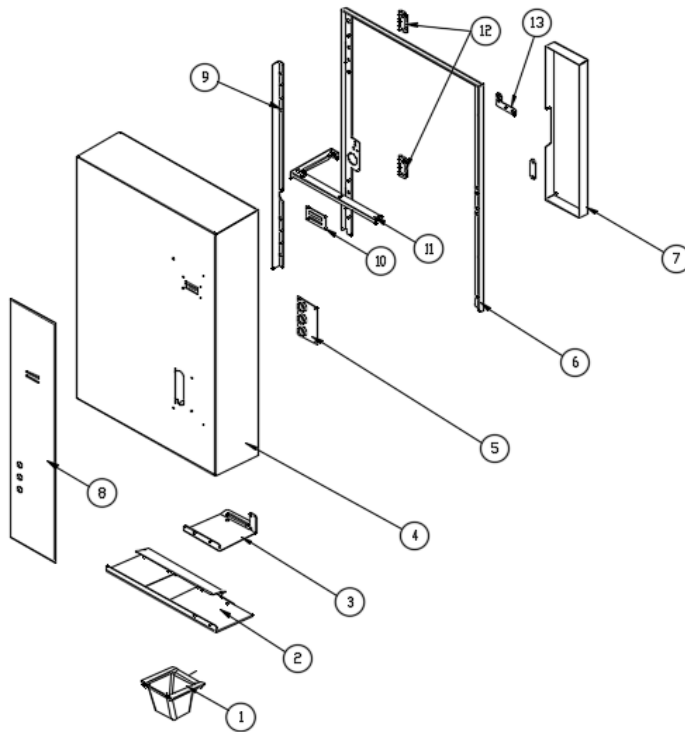
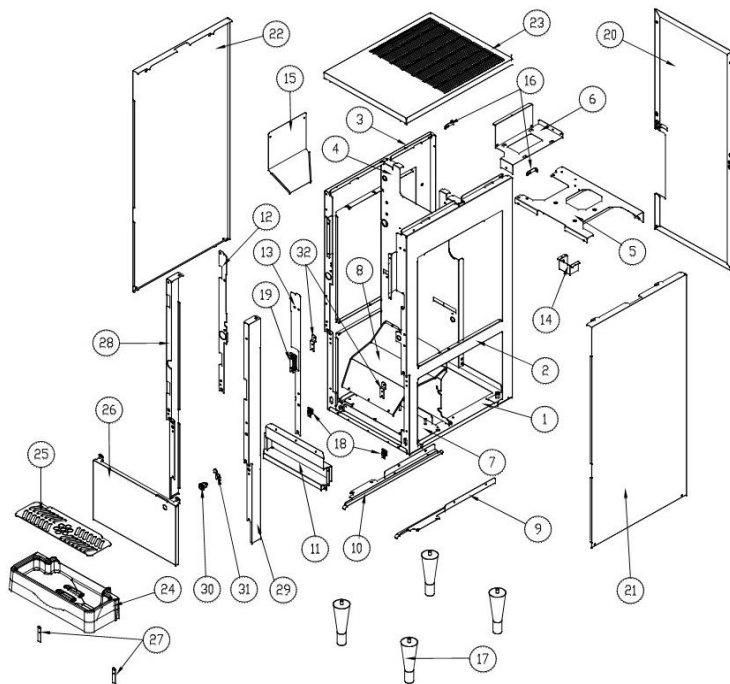


### i30 PARTS DIAGRAM

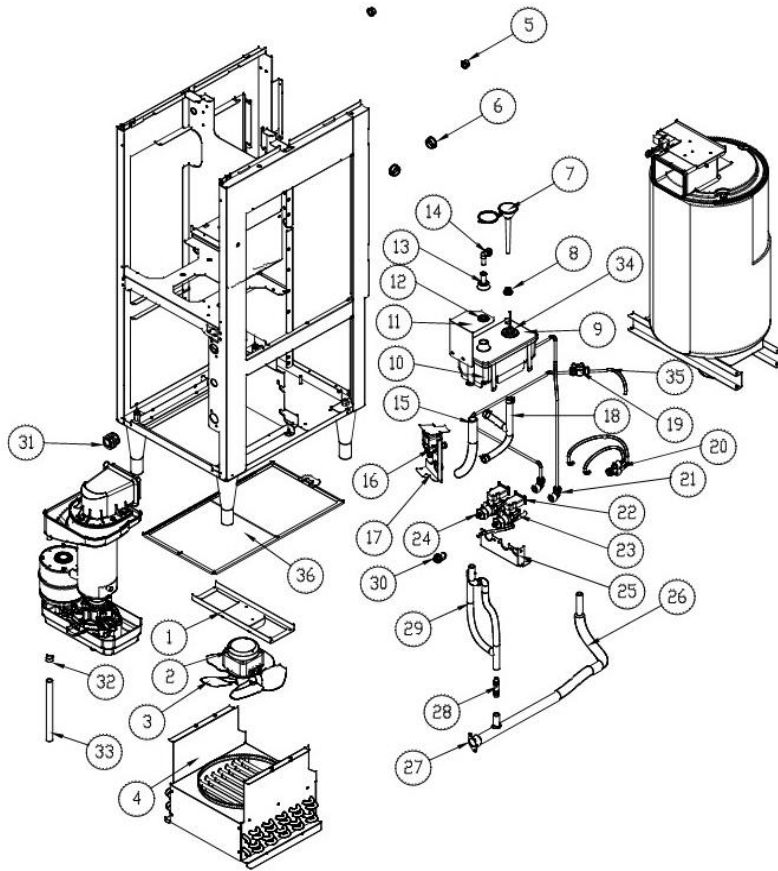
Recommended Stock Parts



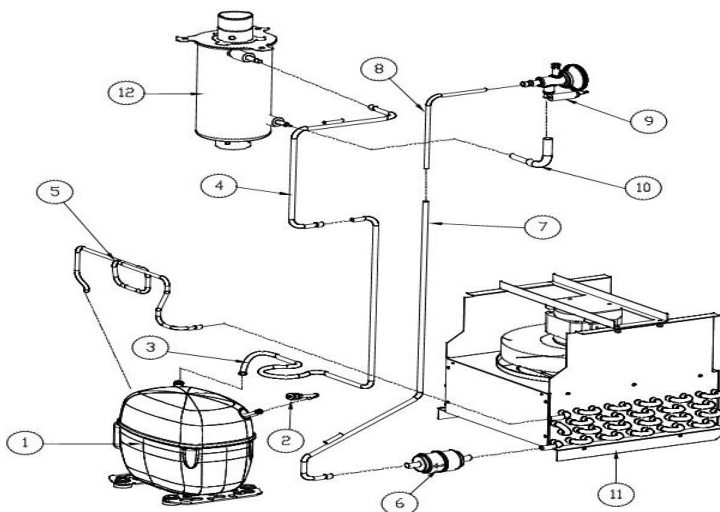
NO	DESCRIPTION	PART #
1	SPOUT COVER	318043200
1.1	SHORT SPOUT COVER (NEW)	318043201
2	FRONT DOOR BADE D WELD ASSY	201233800
3	LOCKING BASE PLATE	301233300
4	FRONT DOOR	301232800
5	BUTTON PCB	367015200
6	FRONT PANEL BASE	301232600
7	BUTTON PCB COVER	301233100
8	BUTTON DISPLAY	440035000
9	HINGE BKT	301232700
10	LED PCB	367016900
11	HARNESS BKT	301233200
12	YSH HINGE	321007500
13	DOOR REINFORCE PLATE	301235500



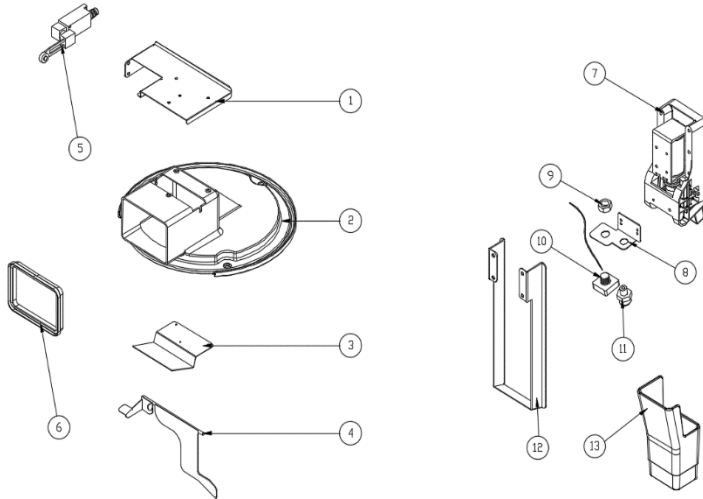
NO	DESCRIPTION	PART #
1	BASE PLATE	332047210
2	RIGHT SIDE ANGLE	332051600
3	LEFT SIDE ANGLE	332051700
4	MIDDLE SIDE ANGLE	332046910
5	BKT AUGER MOTOR ASSY	402026500
6	BKT WATER TANK	301202800
7	BKT COMP	301204120
8	PLATE DRAIN GUIDE	317233800
9	GUIDE AIR FILTER L	332047410
10	GUIDE AIR FILTER R	332047310
11	BKT TOP DRAIN	301234200
12	SPACER PLATE_L	301232300
13	SPACER PLATE_R	301232200
14	KIOSK PCB BKT	301234500
15	DRAIN GUIDE PLATE	301203500
17	FOOT	302006820
18	DOOR LOCK	631000700
19	BKT LOCKING MAGNET	301183150
20	BACK PANEL	301235300
21	PANEL SIDE R	301234000
22	PANEL SIDE L	301234100
23	TOP COVER	317217950
24	DRAIN BOX	336029601
25	DRAIN BOX UP	301236100
26	FRONT PANEL DOWN	301233400
27	BKT LOCKING HOOK	301181400
28	FRONT SIDE PANEL_L	301232400
29	FRONT SIDE PANEL_R	301232500
30	LOCKING DEVICE	219003800
31	LOCK PLATE	301178201
32	FRONT PANEL DOWN BKT	301234300



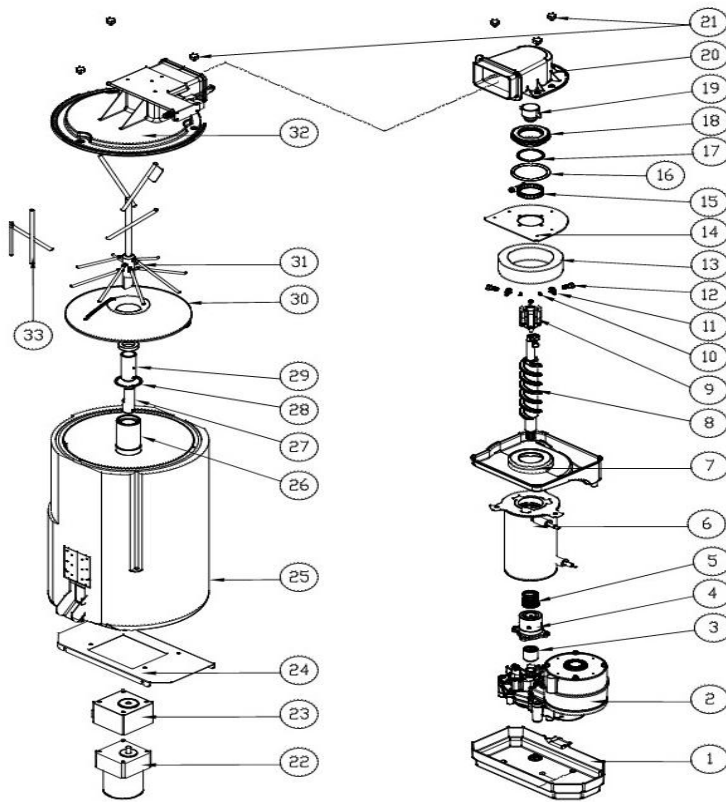
NO	DESCRIPTION	PART #
1	BKT FAN MOTOR	301205600
2	FAN MOTOR/EURO	353035800
3	FAN	308004700
4	CONDENSOR ASSY (115V/60Hz)	411035310
5	GROMMET BUSHING	232003600
6	GROMMET BUSHING	232003500
7	FUNNEL	318039300
8	FUNNEL PACKING	303037200
9	WATER RESERVOIR COVER	654000301
10	WATER RESERVOIR	654000200
11	BKT WATER TANK COVER	301218300
12	BUSHING(PIPE)	232004900
13	RESERVOIR INLET	319007801
14	STEM ELBOW	398015000
15	SILICON HOSE	229029500
16	DRAIN WATER VLAVE	340029500
17	BKT DRAIN WATER SOL	301202000
18	MULTIPLE WATER HOSE	229033602
19	SPEEDFIT TO SPEEDFIT CONNECTOR	398012410
20	TWO WAY DIVIDER	398017000
21	REDUCING ELBOW	398013700
22	WATER VALVE CAP	319007900
23	WATER VALVE	340029400
24	TAP ADAPTOR	398011600
25	DRAIN VV BKT	301202100
26	HOSE DRAIN A	229035200
27	SOCKET	215013500
28	NIPPLE	398011401
29	HOSE DRAIN B	229035300
30	BULKHEAD CONNECTOR	398017900
31	CABLE GLAND	227001200
32	BAND SPRING 16	203003200
33	SILICON HOSE	229029400
34	ASSY WATER LEVEL SENSOR	722014501
35	PE TUBE-OD1_4Inch-4	229013600
36	AIR FILTER	640009000



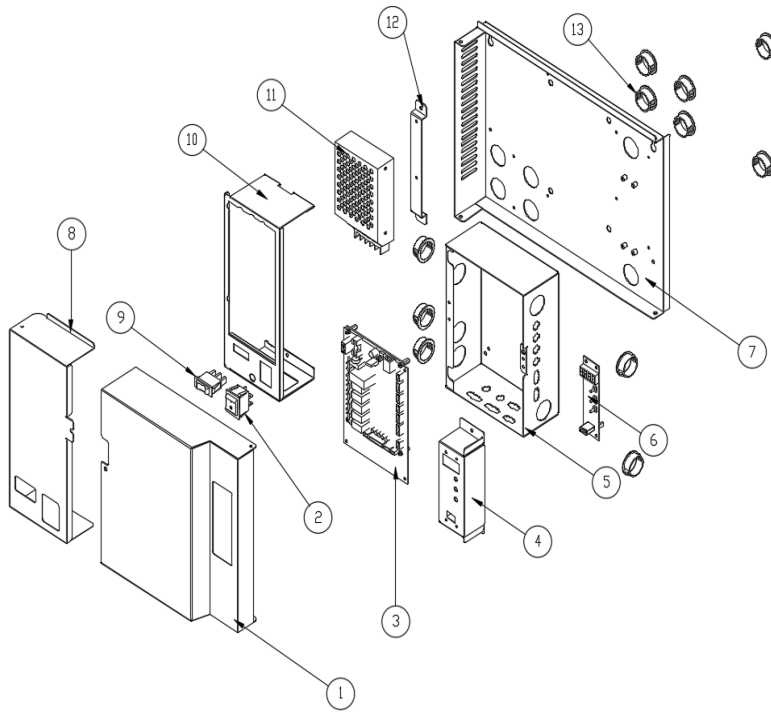
NO	DESCRIPTION	PART #
1	COMP/SC12MLX_OLP	401023000
2	CHARGE NIPPLE ASSY	459000400
3	SUCTION PIPE	325159410
4	EVA OUTLET PIPE	325159500
5	DISCHARGE PIPE ASSY	325158600
6	FILTER DRYER	372001300
7	DRY-EXP	325158700
8	EXPANSION INLET PIPE	325159300
9	EXPANSION VALVE	340004500
10	EXPANSION OUTLET PIPE	325159200
11	CONDENSOR ASSY	411035310
12	EVAPORATOR FORM ASSY	409043803



NO	DESCRIPTION	PART #
1	ICE CHUTE COVER	317219001
2	HOPPER COVER	318041401
3	ICE GUIDE PLAT	301226400
4	ACTUATOR SHAFT ASSY	314045001
5	ASSY FULL LIMIT SWITCH	722018610
6	COVER SHUT	303042000
7	ASSY SHUTTER	427060000
8	BKT UV LED	301199740
9	NUT HEX	215019500
10	UVC WATER PROOF MODULE	500001900
11	NOXXLE WATER	233000400
12	WATER GUIDE	301235400
13	SPOUT	318043300
13.1	SHORT SPOUT (NEW)	318043302

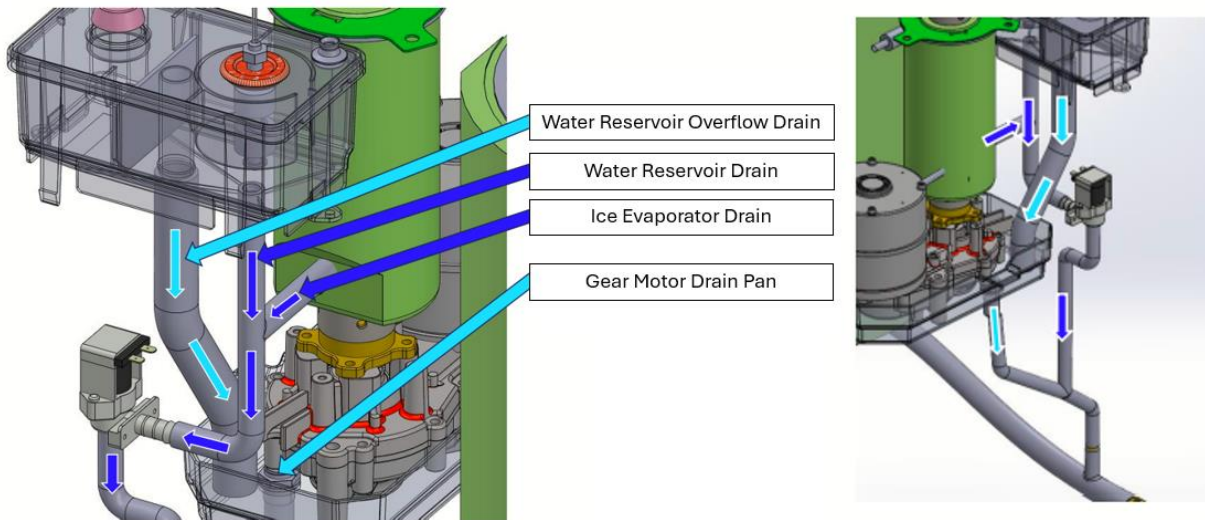
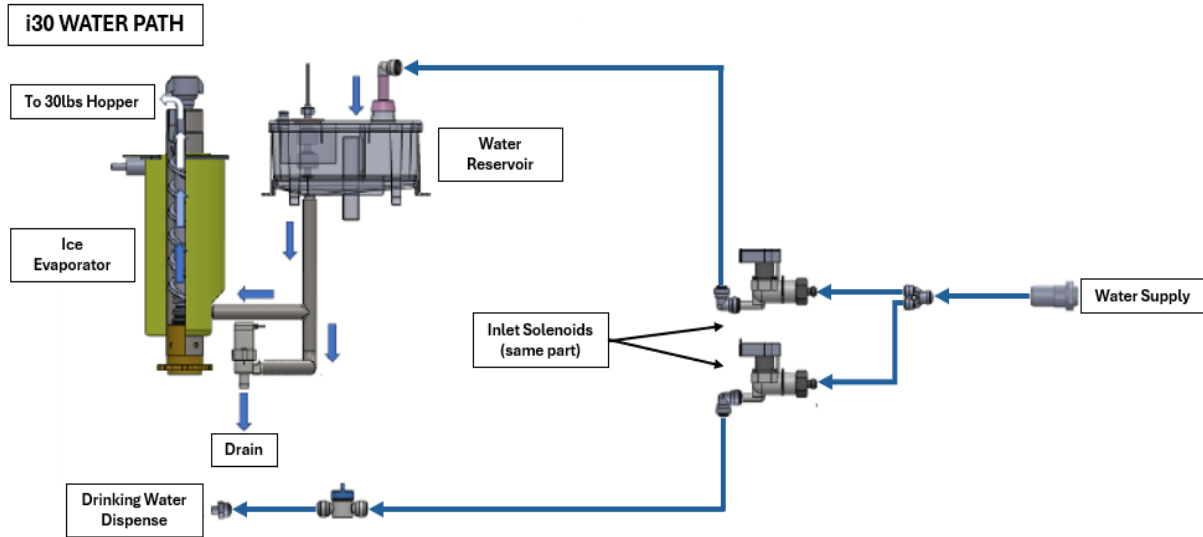


NO	DESCRIPTION	PART #
1	GEAR MOTOR DRAIN PAN	318039150
2	AUGER MOTOR ASSY	406026400
3	SPLINE COUPLING	612000800
4	HOUSING ASSY	491000900
5	MECHANICAL SEAL	303036900
6	EVAPORATOR FORM ASSY	409043803
7	DRIP PAN	604003200
8	AUGER	430005000
9	EXTRUDING HEAD ASSY	491000801
10	O-RING	303032000
11	HEAD LOCKING WASHER	211008000
12	HEX WRENCH BOLT SEMS	210820700
13	FOAM PE HEAD SHAFT	306049900
14	FLANGE SPOUT	301199500
15	BAND SPRING 16	203004100
16	PACKING	303041800
17	O-RING	303037500
18	HOLD SPOUT	395007800
19	IMPELLER ICE ASSY	390001500
20	SPOUT	450000600
21	HAND SCREW	210804502
22	AGITATOR MOTOR ASSY	406027600
23	MOTOR COVER PACKING	303039800
24	HOPPER SUPPORT BASE	301202500
25	HOPPER FORM ASSY	442009700
26	BEARING POM	310007300
27	MAIN SHAFT ONE	314044600
28	O-RING	303037500
29	MAIN SHAFT TWO	314044700
30	ICE BASE PLATE	610035400
31	AGITATOR ASSY	436003700
32	HOPPER COVER ASSY	420054120
33	MIXING BAR ASSY	436004200



NO	DESCRIPTION	PART #
1	CONTROL BOX COVER	301234700
2	SWITCH (3L)	355009800
3	MAIN PCB	367016600
4	FND USB PCB BKT	301235000
5	CONTROL BOX	374152800
6	FND USB PCB	367016700
7	CONTROL BOX BASE	301235100
8	SMPS COVER	301234600
9	SWITCH (4P)	355012400
10	SWITCH BKT	301234800
11	SMPS	629001200
12	SMPS BKT	301234900
13	GROMMET BUSHING	232003500

**i30 WATER FLOW DIAGRAM**



## i30 ELECTRICAL DIAGRAM

**⚠ DANGER!** HIGH VOLTAGE ELECTRICAL HAZARD. PCB (Printed Circuit Board) contains High Voltage. Only trained and qualified technicians should attempt live testing.

